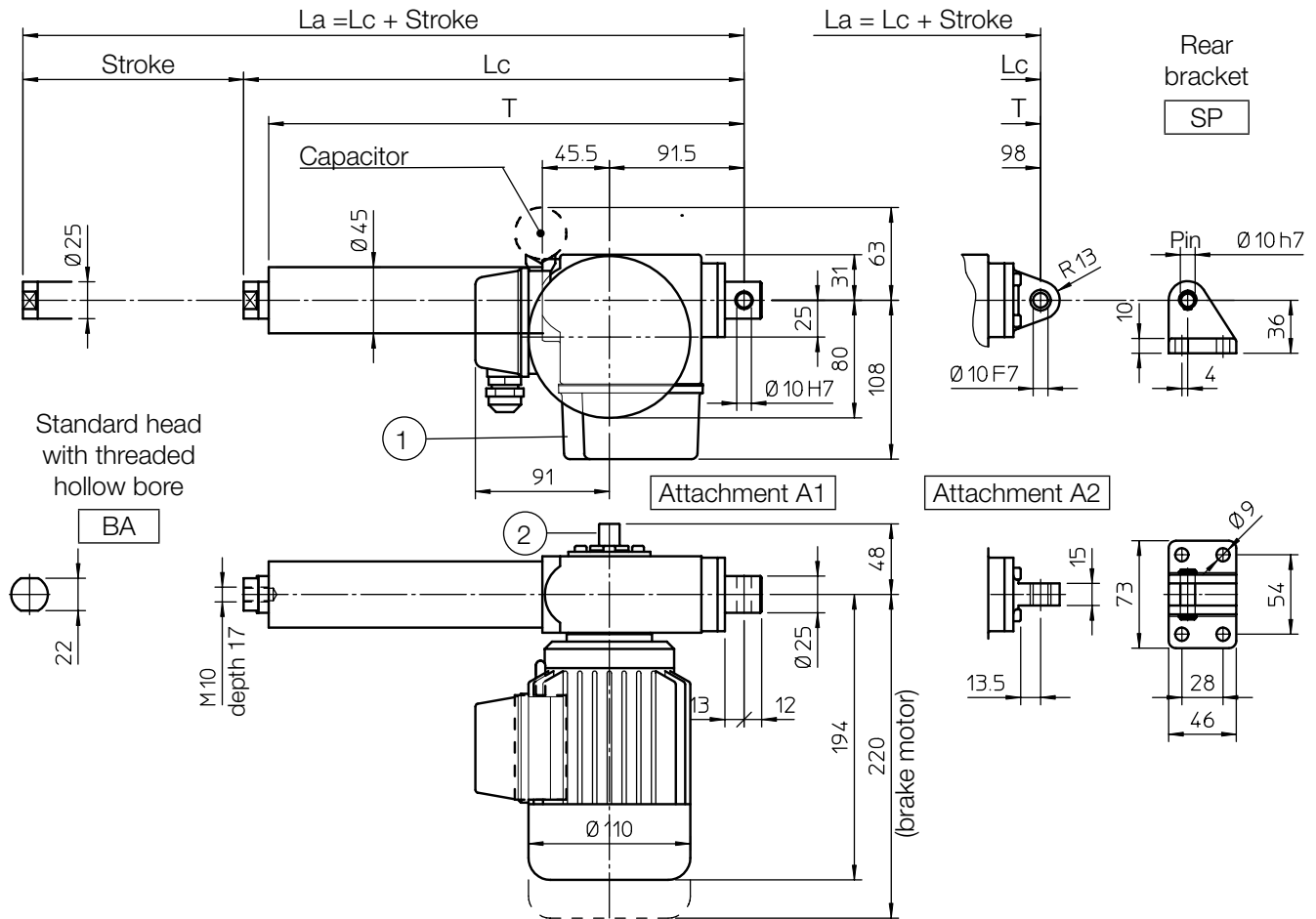


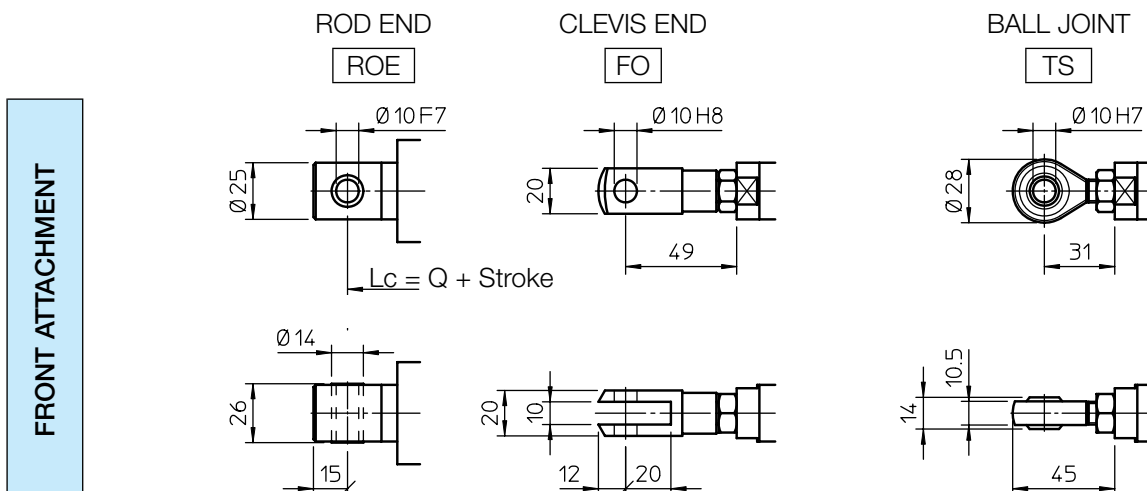
## OVERALL DIMENSIONS



1. STROKE END SWITCHES BOX AND POTENTIOMETER
2. MOTOR SHAFT EXTENSION for:  
Emergency manual activation  
Stroke end switches and potentiometer adjustment

Q [mm]	Attachment A1	Attachment A2
	195	202

STROKE CODE	Actuator - Attachment A1			Actuator - Attachment A2			MASS [Kg]
	STROKE [mm]	LENGTH		STROKE [mm]	LENGTH		
		Lc [mm]	La [mm]		Lc [mm]	La [mm]	
C100	100	290	390	100	297	397	5.3
C200	200	390	590	200	397	597	5.6
C300	300	490	790	300	497	797	5.9





# ACME SCREW LINEAR ACTUATOR CLA 25 AC motor

## PERFORMANCES AND FEATURES

- Push load up to 5 000 N
- Pull load up to 4 000 N
- Linear speed up to 93 mm/s
- Standard stroke lengths: 100, 150, 200, 250, 300 mm (for different / longer stroke lengths please contact us)
- Aluminium alloy housing
- Rear attachment:
  - A1 zinc-plated steel
  - A2 aluminium alloy with bronze bush
- Anodized aluminium outer tube
- Chrome-plated steel push rod – tolerance f7
- Standard head BA or rod end ROE in stainless steel AISI 303 with bronze bush
- AC 3-phase or 1-phase motor (motor features on page 70)
- Duty cycle with max load: 30% over 10 min at (-10 ... +40) °C
- Standard protection:
  - with AC motor without brake IP55
  - with AC brake-motor IP54
- Standard motor mounting position as per sketch (right-hand, code RH)
- Long-life lubrication, maintenance free

## ACCESSORIES

- Different front attachments
- Stainless steel push rod (code SS)
- Rear bracket (code SP) with rear attachment A2
- Mechanical overload protection: safety clutch (code FS)
- Brake motor
- Adjustable electric stroke end switches (code FC2)
- Adjustable electric stroke end switches, switching off the motor (not available with AC 3-phase motor) (code FC2X)
- Extra switch for intermediate position (code FC)
- Rotative potentiometer 5kOhm for positioning control (code POR5K)

NOTE: Extra limit switch and rotative potentiometer cannot be selected together

## OPTIONS

- Motor mounting position on opposite side (left-hand, code LH)
- Fixing attachment turned at 90° (code RPT 90)

### PERFORMANCES with AC 3-phase 50 Hz 230/400 V or 1-phase 50 Hz 230 V motor

1-start acme screw Tr 14x4				
RATIO	0.09 kW - 4 pole motor		0.12 kW - 2 pole motor	
	LOAD [N]	SPEED [mm/s]	LOAD [N]	SPEED [mm/s]
RH1	1750	23	1250	47
RV1	2620	15	1860	30
RN1	4490	7.5	3230	15
RL1	5000	3.5	5000	7.5
RXL1	5000	2	5000	3.5

2-starts acme screw Tr 14x8 (P4)				
RATIO	0.09 kW - 4 pole motor		0.12 kW - 2 pole motor	
	LOAD [N]	SPEED [mm/s]	LOAD [N]	SPEED [mm/s]
RH2	1070	47	790	93
RV2	1620	30	1180	60
RN2	2880	15	2080	30
RL2	4800	7.5	3520	15

## Self-locking conditions

Information about statically self-locking conditions with pull or push load on page 68.

## ORDERING CODE EXAMPLE

CLA 25	RL1	C200	CA 230/400 V	FC2	POR 5K				
Actuator	Selected ratio	Required stroke	Motor	Stroke end switches	Accessories			Options	